



Technical Data

For detailed data and product description refer to the data sheets at www.pepperl-fuchs.com

General Data	
Rated operating distance	22 mm
Installation	virtually flush
Type of voltage	DC
Operating voltage	10 ... 30 V
No-load supply current	≤ 10 mA
Reverse polarity protection	✓
Switching frequency	0 ... 150 Hz
Operating current	0 ... 200 mA
Short-circuit protection	pulsing
Indication of the switching state	LED, yellow
Ambient temperature	-25 ... 70 °C (-13 ... 158 °F)
Housing material	chromium plated brass
Protection degree	IP67

Properties

- Ø30 mm housing
- 22 mm, virtually flush mountable
- DC, 3-wire switching output
- Cable and connector versions

Model Number

		NEB22-30GM60-E0	NEB22-30GM60-E2	NEB22-30GM60-E0-V1	NEB22-30GM60-E2-V1	NEB22-30GM60-E3-V1
Switching element function	green = preferred type	●		●		
	NPN NO		●		●	
Connection type	PNP NO					●
	PNP NC					●
Device connector M12 x 1, 4-pin		●	●	●	●	●
	cable PVC, 2 m					

Approvals and Certificates

UL approval	cULus Listed, General Purpose	●
CSA approval	cCSAus Listed, General Purpose	●
CCC approval	Products with a maximum operating voltage of ≤36 V do not bear a CCC marking because they do not require approval.	

Dimensions

Length L [mm]	60		73.5		
Diameter D [mm]			30		
Thread length l _t [mm]	60	60	52	61.5	52
Cap length l ₁ [mm]	0				
Connector area l _c [mm]	0		13,5		12,5
LED position	C	C	C	A	C

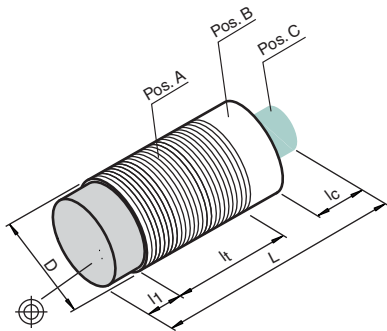
Accessories

This and more accessories can be found in chapter 10

See pages from 972 ... for cordsets

See pages 1068 ... for mounting aids

- BF 30** Mounting flange, 30 mm
- V1-G-BK** 4-pin, M12 female field-attachable connector
- V1-W-BK** 4-pin, M12 female field-attachable connector
- V1-G-2M-PUR** Cable socket, M12, 4-pin, PUR cable
- V1-W-2M-PUR** Cable socket, M12, 4-pin, PUR cable



Electrical Connection

<p>NEB22-30GM60-E0</p>	<p>NEB22-30GM60-E0-V1</p>	<p>NEB22-30GM60-E2-V1</p>												
<p>NEB22-30GM60-E2</p>	<p>NEB22-30GM60-E3-V1</p>	<p>Wire colors in accordance with EN 60947-5-2</p> <table border="0"> <tr><td>1</td><td>BN</td><td>(brown)</td></tr> <tr><td>2</td><td>WH</td><td>(white)</td></tr> <tr><td>3</td><td>BU</td><td>(blue)</td></tr> <tr><td>4</td><td>BK</td><td>(black)</td></tr> </table>		1	BN	(brown)	2	WH	(white)	3	BU	(blue)	4	BK
1	BN	(brown)												
2	WH	(white)												
3	BU	(blue)												
4	BK	(black)												